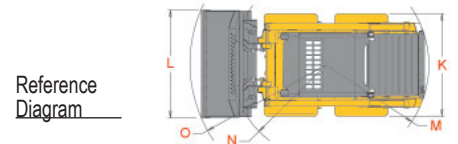
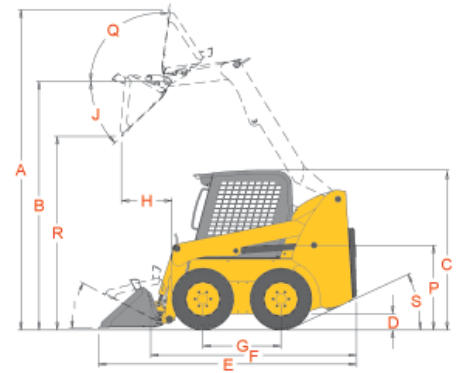


5640E NA/Turbo

	SL5640E	SL5640E Turbo
DIMENSIONS		
Overall Operating Height (mm)	162" (4115)	162" (4115)
Height to Hinge Pin (fully raised) (mm)	123" (3124)	123" (3124)
Overall Height (to top of ROPS) (mm)	81.0" (2057)	81.0" (2057)
Ground Clearance to Chassis (mm)	8.0" (203)	8.0" (203)
Overall Length (mm)	131.0" (3327) w/70" bucket	131.0" (3327) w/70" bucket
Overall Length (w/o bucket)	95.5" (2426)	95.5" (2426)
Wheelbase (mm)	42.5" (1080)	42.5" (1080)
Dump Reach (full height) (mm)	32.8" (833)	32.8" (833)
Rollback at Ground	30°	30°
Dump Angle	40°	40°
Overall Width (mm)	67.0" (1702)	67.0" (1702)
Bucket Width (mm)	70" - 90" (1778 - 2286)	70" - 90" (1778 - 2286)
Clearance Circle (rear) (mm)	66.0" (1679)	66.0" (1679)
Clearance Circle (front, w/o bucket) (mm)	50.5" (1283)	50.5" (1283)
Clearance Circle (front, w/bucket) (mm)	82.0" (2083)	82.0" (2083)
Seat to Ground Height (mm)	42.0" (1067)	42.0" (1067)
Rollback at Full Height (mm)	84°	84°
Dump Height (mm)	93.5" (2375)	93.5" (2375)
Departure Angle	26°	26°
Standard Tire Size	12.00x16.5 HD	12.00x16.5 HD



ENGINE		
Make	Deutz	Deutz
Model	F4M2011	BF4M2011
Net Power (kW) @ rpm	82 hp (61) @ 2500	82 hp (61) @ 2500
Displacement (L)	190 cu.in. (3.1)	190 cu. in. (3.1)

HYDRAULIC SYSTEM		
Auxiliary Hydraulics - Standard (L/min)	23 gpm (87)	23 gpm (87)
High-Flow Hydraulics - Optional (L/min)	36 gpm (136)	36 gpm (136)
Filtration	3 micron	3 micron
Reservoir Capacity (L)	16 gal. (60)	16 gal. (60)

ELECTRICAL SYSTEM		
Battery	12-volt (950 CCA)	12-volt (950 CCA)
Starter (kW)	12-volt (2.3)	12-volt (2.3)
Alternator	95-amp.	95-amp.

CAPACITIES AND WEIGHTS		
Rated Operating Load (kg)	2050 lbs. (930)	2200 lbs. (998)
Rated Operating Load with opt. Counterweight (kg)	2350 lbs. (1066)	2500 lbs. (1134)
Tipping Capacity (kg)	4100 lbs. (1860)	4400 lbs. (1996)
Fuel Tank (L)	19 gal. (72)	19 gal. (72)
Travel Speed w/Joystick (km/h)	7.6 mph (12.2)	7.6 mph (12.2)
- with 2-speed drive option (km/h)	11.5 mph (18.5)	11.5 mph (18.5)
Travel Speed w/o Joystick (km/h)	8.1 mph (13)	8.1 mph (13)
- max. (km/h)	12.3 mph (19.8)	12.3 mph (19.8)
Operating Weight - approx. (kg)	7380 lbs. (3347)	7380 lbs. (3347)

The Gehl E-Series Skid Loaders feature enhanced performance and an expanded lineup of seven models, ranging from the compact 3640E through the NEW, top-of-the-line 7810E, the world's most powerful skid loader. These machines are a "must-have" for every task, whether you're a contractor, landscaper, renter, farmer, or just have a lot of work and not enough time.

Contact your nearest Gehl dealer for more information.

GEHL
COMPACT EQUIPMENT FOR BIG RESULTS™

www.gehl.com

143 Water Street
West Bend, WI 53095
U.S.A.

Tel: 262-334-9461
Fax: 262-338-7517

5640E

STANDARD EQUIPMENT

- Accoustical Material and Headliner
- Adjustable Operator Restraint Bar with Armrests
- All-Tach™ Attachment System: Two-Lever (manual)
- Anti-Vandalism Rear Door
- Battery Charge Indicator Lamp
- Bi-directional Auxiliary Hydraulics with Flat-Faced Couplers
- Controls: T-bar "Hands-only, Hand/Foot, Dual Hand, or T-Bar Joystick (4640E Turbo only)
- Coolant Temperature Gauge and Indicator Light
- Dual-Element Air Cleaner with Visual Indicator
- Dual Front and Rear Halogen Work Lights and Dual Tail Lights
- Engine Auto-Shutdown System
- Foot Throttle (T-Bar and Dual Hand only)
- Fuel Level Gauge
- Hourmeter
- Hydraloc™ System – Brakes and Interlock for Starter, Lift/Tilt Cylinders, Auxiliary Hydraulics and Wheel Drives
- Interior Dome Light
- Oil Pressure Indicator Light
- Powerview® Lift Arm
- Pre-Heat Starting Assist
- ROPS/FOPS ISO Level II
- Seatbelt Indicator Light and Buzzer
- Self-Leveling Lift Action
- Servo-Controlled Hydrostatic Drive
- Skid Plate for Clean Out

OPTIONAL EQUIPMENT

- 2-speed Transmission
- 3-inch Wide Seatbelt – When Required
- Audible Back-up Alarm
- Adjustable Suspension Seat
- Bi-directional High-Flow Auxiliary Hydraulics with Flat-Faced Couplers
- Bucket Bolt-on Cutting Edge Kits
- Centrifugal Pre-Cleaner
- Engine Pan Heater
- Four-point Lift Kit
- Front Door with Wiper
- Horn
- Hydraulic Couplers Kit
- Hydraulic Oil Filter Indicator Light
- Hydraglide™ Ride Control System
- Impact-Resistant Front Door
- Operator's Compartment Heater/ Defroster/Air Conditioner
- Power-A-Tach™ Attachment Mounting System
- Rear-View Mirror
- Single-point Lift Kit
- Sliding Side Windows
- Spark Arresting Muffler
- Strobe Light
- Upper-torso Restraint (required with 2-speed transmission)



The Model 5640E provides increased operating loads, high-horsepower Deutz engines and exceptional hydraulic power. All to help you get more done in less time. And the large, ergonomic cab will keep you comfortable!

BUCKETS AND CAPACITIES

Width	Description	Capacity	Weight	Rating
68" (1727 mm)	Dirt/Construction	15.3 ft³ (0.43 m³)	465 lbs. (211 kg)	1929 lbs. (875 kg)
68" (1727 mm)	Dirt/Construction	19 ft³ (0.54 m³)	500 lbs. (227 kg)	1570 lbs. (712 kg)
72" (1829 mm)	Dirt/Construction	20.4 ft³ (0.58 m³)	525 lbs. (238 kg)	1848 lbs. (838 kg)
75" (1905 mm)	Dirt/Construction w/ Spill Guard	17.5 ft³ (0.5 m³)	500 lbs. (227 kg)	2165 lbs. (982 kg)
67.5" (1715 mm)	Dirt/Construction w/ Spill Guard	16.8 ft³ (0.5 m³)	480 lbs. (218 kg)	2196 lbs. (996 kg)
72" (1829 mm)	Snow/Utility	32.5 ft³ (0.92 m³)	645 lbs. (293 kg)	1430 lbs. (649 kg)
72" (1829 mm)	Utility	27 ft³ (0.76 m³)	595 lbs. (270 kg)	1533 lbs. (695 kg)
90" (2286 mm)	Snow	41.1 ft³ (1.16 m³)	750 lbs. (340 kg)	1468 lbs. (666 kg)
74.5" (1892 mm)	Low Profile/Grading	16.8 ft³ (0.48 m³)	512 lbs. (232 kg)	1864 lbs. (845 kg)
15.75" (400 mm)	Forks with Backrest Rating per EN474-3	N/A	492 lbs. (223 kg)	1601 lbs. (726 kg)
19.68" (500 mm)	Forks with Backrest Rating per EN474-3	N/A	492 lbs. (223 kg)	1501 lbs. (681 kg)
24" (670 mm)	Forks with Backrest Rating per SAE 1197	N/A	492 lbs. (223 kg)	1436 lbs. (651 kg)

GEHL
www.gehl.com

SAFETY IS NO ACCIDENT.

Gehl Company reminds users to read and understand the operator's manual before operating any piece of equipment. Additionally, be sure all safety devices and shields are securely in place and functioning properly.

Gehl Company reserves the right to make changes in design or specifications at any time without notice or obligation.