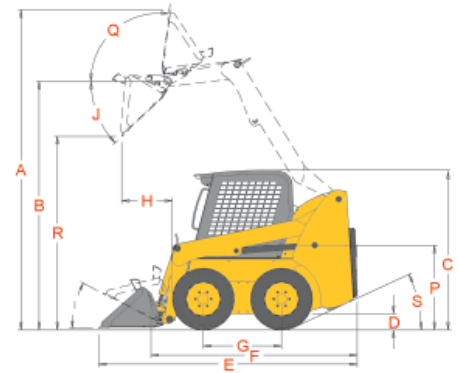


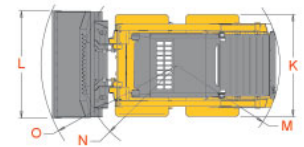
4840E

DIMENSIONS

Overall Operating Height (mm)	149" (3785)
Height to Hinge Pin (fully raised) (mm)	115.5" (2934)
Overall Height (to top of ROPS) (mm)	78" (1981)
Ground Clearance to Chassis (mm)	7.5" (191)
Overall Length (mm)	126.3" (3208) w/66" bucket
Overall Length (w/o bucket)	93.3" (2370)
Wheelbase (mm)	41.5" (1054)
Dump Reach (full height) (mm)	27.6" (701)
Rollback at Ground	27°
Dump Angle	40°
Overall Width (mm)	63.5" (1613)
Bucket Width (mm)	66" - 75" (1679 - 1905)
Clearance Circle (rear) (mm)	61.5" (1562)
Clearance Circle (front, w/o bucket) (mm)	48" (1219)
Clearance Circle (front, w/bucket) (mm)	76.0" (1930)
Seat to Ground Height (mm)	37.5" (953)
Rollback at Full Height (mm)	86°
Dump Height (mm)	89.5" (2273)
Departure Angle	25°
Standard Tire Size	10.00x16.5 HD



Reference Diagram



ENGINE

Make	Deutz
Model	F4M2011
Net Power (kW) @ rpm	60 hp (45) @ 2500
Displacement (L)	190 cu.in. (3.1)

HYDRAULIC SYSTEM

Auxiliary Hydraulics - Standard (L/min)	19 gpm (72)
High-Flow Hydraulics - Optional (L/min)	30 gpm (114)
Filtration	3 micron
Reservoir Capacity (L)	12 gal. (45)

ELECTRICAL SYSTEM

Battery	12-volt (950 CCA)
Starter (kW)	12-volt (2.3)
Alternator	95-amp.

CAPACITIES AND WEIGHTS

Rated Operating Load (kg)	1900 lbs. (862)
Rated Operating Load with opt. Counterweight (kg)	2050 lbs. (930)
Tipping Capacity (kg)	3800 lbs. (1724)
Fuel Tank (L)	15 gal. (56)
Travel Speed w/Joystick (km/h)	8.8 mph (14.2)
with 2-speed drive option (km/h)	14.0 mph (22.5)
Travel Speed w/o Joystick (km/h)	7.7 mph (12)
max. (km/h)	12.4 mph (20)
Operating Weight - approx. (kg)	6200 lbs. (2812)

The Gehl E-Series Skid Loaders feature enhanced performance and an expanded lineup of seven models, ranging from the compact 3640E through the NEW, top-of-the-line 7810E, the world's most powerful skid loader. These machines are a "must-have" for every task, whether you're a contractor, landscaper, renter, farmer, or just have a lot of work and not enough time.

Contact your nearest Gehl dealer for more information.

GEHL®

COMPACT EQUIPMENT FOR BIG RESULTS™

www.gehl.com

143 Water Street
West Bend, WI 53095
U.S.A.

Tel: 262-334-9461
Fax: 262-338-7517

4840E

STANDARD EQUIPMENT

- Accoustical Material and Headliner
- Adjustable Operator Restraint Bar with Armrests
- All-Tach™ Attachment System: Two-Lever (manual)
- Anti-Vandalism Rear Door
- Battery Charge Indicator Lamp
- Bi-directional Auxiliary Hydraulics with Flat-Faced Couplers
- Controls: T-bar "Hands-only, Hand/Foot, Dual Hand, or T-Bar Joystick (4640E Turbo only)
- Coolant Temperature Gauge and Indicator Light
- Dual-Element Air Cleaner with Visual Indicator
- Dual Front and Rear Halogen Work Lights and Dual Tail Lights
- Engine Auto-Shutdown System
- Foot Throttle (T-Bar and Dual Hand only)
- Fuel Level Gauge
- Hourmeter
- Hydraloc™ System – Brakes and Interlock for Starter, Lift/Tilt Cylinders, Auxiliary Hydraulics and Wheel Drives
- Interior Dome Light
- Oil Pressure Indicator Light
- Powerview® Lift Arm
- Pre-Heat Starting Assist
- ROPS/FOPS ISO Level II
- Seatbelt Indicator Light and Buzzer
- Self-Leveling Lift Action
- Servo-Controlled Hydrostatic Drive
- Skid Plate for Clean Out



With a high-horsepower Deutz engine, high operating loads and exceptional hydraulic power, the Model 4840E doesn't mind getting dirty. And innovative accoustical cab materials makes it quieter, both inside and out.

OPTIONAL EQUIPMENT

- 2-speed Transmission
- 3-inch Wide Seatbelt – When Required
- Audible Back-up Alarm
- Adjustable Suspension Seat
- Bi-directional High-Flow Auxiliary Hydraulics with Flat-Faced Couplers
- Bucket Bolt-on Cutting Edge Kits
- Centrifugal Pre-Cleaner
- Engine Pan Heater
- Four-point Lift Kit
- Front Door with Wiper
- Horn
- Hydraulic Couplers Kit
- Hydraulic Oil Filter Indicator Light
- Hydraglide™ Ride Control System
- Impact-Resistant Front Door
- Operator's Compartment Heater/ Defroster/Air Conditioner
- Power-A-Tach™ Attachment Mounting System
- Rear-View Mirror
- Single-point Lift Kit
- Sliding Side Windows
- Spark Arresting Muffler
- Strobe Light
- Upper-torso Restraint (required with 2-speed transmission)

BUCKETS AND CAPACITIES

Width	Description	Capacity	Weight	Rating
68" (1727 mm)	Dirt/Construction	15.3 cubic feet (0.43 m³)	465 lbs. (211 kg)	1637 lbs. (743 kg)
65" (2286 mm)	Dirt/Construction	10.8 cubic feet (0.31 m³)	310 lbs. (141 kg)	1752 lbs. (795 kg)
65" (2286 mm)	Dirt/Construction	14.7 cubic feet (0.42 m³)	380 lbs. (172 kg)	1683 lbs. (764 kg)
67" (1702 mm)	Dirt/Construction with Spill Guard	14.5 cubic feet (0.41 m³)	383 lbs. (174 kg)	1886 lbs. (855 kg)
72" (1829 mm)	Utility/Snow	32.5 cubic feet (0.92 m³)	645 lbs. (293 kg)	1245 lbs. (565 kg)
65" (1657 mm)	Utility/Snow	18.6 cubic feet (0.53 m³)	395 lbs. (179 kg)	1418 lbs. (643 kg)
69.5" (1765 mm)	Utility	15.5 cubic feet (0.44 m³)	489 lbs. (222 kg)	1559 lbs. (707 kg)
67" (1702 mm)	Low Profile/Grading	14.5 cubic feet (0.41 m³)	383 lbs. (174 kg)	1469 lbs. (666 kg)
15.75" (400 mm)	Forks with Backrest Rating per EN474-3	N/A	645 lbs. (293 kg)	1328 lbs. (602 kg)
19.68" (500 mm)	Forks with Backrest Rating per EN474-3	N/A	395 lbs. (179 kg)	1221 lbs. (554 kg)
24" (670 mm)	Forks with Backrest Rating per SAE 1197	N/A	492 lbs. (223 kg)	1146 lbs. (520 kg)

GEHL
www.gehl.com

SAFETY IS NO ACCIDENT.

Gehl Company reminds users to read and understand the operator's manual before operating any piece of equipment. Additionally, be sure all safety devices and shields are securely in place and functioning properly.

Gehl Company reserves the right to make changes in design or specifications at any time without notice or obligation.