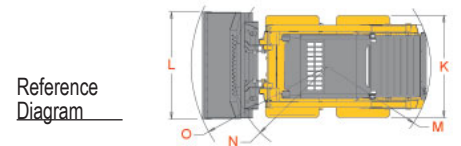
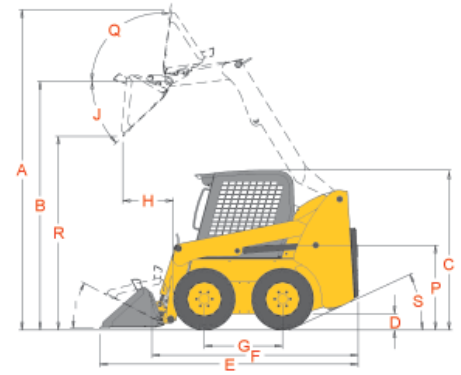


# 3640E

## DIMENSIONS

Overall Operating Height (mm)	(A)	139.6" (3546)
Height to Hinge Pin (fully raised) (mm)	(B)	108.1" (2746)
Overall Height (to top of ROPS) (mm)	(C)	70.3" (1786)
Ground Clearance to Chassis (mm)	(D)	6" (152)
Overall Length (mm)	(E)	114" (2896) w/55" bucket
Overall Length (w/o bucket)	(F)	88.9" (2258)
Wheelbase (mm)	(G)	34.5" (876)
Dump Reach (full height) (mm)	(H)	22.8" (579)
Rollback at Ground	(I)	29°
Dump Angle	(J)	42°
Overall Width (mm)	(K)	48.4" (1229)
Bucket Width (mm)	(L)	55.3" (1404)
Clearance Circle (rear) (mm)	(M)	54.1" (1374)
Clearance Circle (front, w/o bucket) (mm)	(N)	44.1" (1120)
Clearance Circle (front, w/bucket) (mm)	(O)	69.4" (1763)
Seat to Ground Height (mm)	(P)	32.6" (828)
Rollback at Full Height (mm)	(Q)	99°
Dump Height (mm)	(R)	84.5" (2146)
Departure Angle	(S)	26°
Standard Tire Size		27x8.5x15 HD



Reference Diagram

## ENGINE

Make	Yanmar
Model	3TNV88
Net Power (kW) @ rpm	35 hp (26) @ 2600
Displacement (L)	100 cu.in. (1.64)

## HYDRAULIC SYSTEM

Auxiliary Hydraulics - Standard (L/min)	14.5 gpm (55)
Filtration	4 micron
Reservoir Capacity (L)	8 gal. (30.3)

## ELECTRICAL SYSTEM

Battery	12-volt (675 CCA)
Starter (kW)	12-volt (2.3)
Alternator	40-amp.

## CAPACITIES AND WEIGHTS

Rated Operating Load (kg)	1,050 lbs. (476)
Rated Operating Load with opt. Counterweight (kg)	1,175 lbs. (533)
Tipping Capacity (kg)	2,100 lbs. (952)
Fuel Tank (L)	10.3 gal. (38.9)
Travel Speed (km/h)	6.8 mph (10.9)
Operating Weight - approx. (kg)	4,000 lbs. (1814)

The Gehl E-Series Skid Loaders feature enhanced performance and an expanded lineup of seven models, ranging from the compact 3640E through the NEW, top-of-the-line 7810E, the world's most powerful skid loader. These machines are a "must-have" for every task, whether you're a contractor, landscaper, renter, farmer, or just have a lot of work and not enough time.

Contact your nearest Gehl dealer for more information.

**GEHL**  
COMPACT EQUIPMENT FOR BIG RESULTS™

# 3640E

## STANDARD EQUIPMENT

- Adjustable Seat
- Adjustable Seat Belt
- All-Tach™ Attachment System
- Battery Charge Indicator Lamp
- Controls: T-bar “Hands-only, Hand-Foot
- Coolant Temperature Gauge
- Dual-Element Air Cleaner with Visual Indicator
- Dual Front and Rear Work Lights
- Engine Intake Air Pre-Heater Starting Assist (Manual)
- Foot (T-Bar controls only) and Hand Throttle
- Front Auxiliary Hydraulics with 3/4-inch Flat-faced couplers
- Fuel Gauge
- Headliner and Acoustical Interior
- Hourmeter
- Hydraloc System – Brakes and Interlock for Starter, Lift/Tilt Cylinders, Auxiliary Hydraulics and Wheel Drives
- Independent Hydraulic Reservoir and Hydraulic Oil Cooler
- Lift Arm Support Device
- Low Oil Pressure Light and Buzzer
- Manual Control Hydrostatic Drive
- Number 80K Chain Drive
- Operator Restraint Bar with Armrests
- Power Plug (12V)
- Powerview® Lift Arm
- Removeable Belly Plate and Access Cover
- ROPS/FOPS Level II
- Seat Belt Indicator Lamp and Buzzer
- Spark Arrestor Muffler
- Top and Rear Windows
- Vandalism Lock Provisions
- Visual Hydraulic Filter Indicator
- Warning Lamps and Buzzer – Engine and Hydraulic Oil Temperature

## OPTIONAL EQUIPMENT

- 3-inch Wide Seat Belt – When Required
- Audible Back-up Alarm
- Battery Disconnect Switch
- Bucket Bolt-on Cutting Edge
- Cab Door with Wiper and Dome Light
- Centrifugal Pre-Cleaner
- Deluxe Sound Package
- Diesel Engine Exhaust Purifier
- Engine Auto-Shutdown System
- Engine Block Heater
- Fenders
- Four-Point Lift Kit
- Horn
- Hydraulic Coupler Kit
- Impact-Resistant Door
- Interior Dome Light
- Heater/Defroster
- Rear Counterweight
- Rear View Mirror
- Single-Point Lift Kit
- Self-Leveling Lift Action
- Sliding Side Windows
- Strobe Light
- Suspension Seat



With a powerful Yanmar diesel engine, the 3640E model is a “little giant” that maneuvers easily in tight places and handles tough construction, agriculture and landscaping challenges with ease.

## BUCKETS AND CAPACITIES

Width	Description	Capacity (Heaped)	
48" (1219 mm)	Dirt/Construction	9.75 cubic feet	0.27 cubic meters
48" (1219 mm)	Utility	11.9 cubic feet	0.34 cubic meters
54" (1372 mm)	Dirt/Construction	9.5 cubic feet	0.27 cubic meters
54" (1372 mm)	Utility	13.5 cubic feet	0.38 cubic meters
55" (1397 mm)	Dirt/Construction	10.5 cubic feet	0.30 cubic meters
60" (1524 mm)	Utility	15.2 cubic feet	0.43 cubic meters
61" (1550 mm)	Dirt/Construction	11.7 cubic feet	0.33 cubic meters
61.5" (1562 mm)	Low Profile	12.6 cubic feet	0.36 cubic meters
61.5" (1562 mm)	Earth & Foundry	13.0 cubic feet	0.37 cubic meters
61.5" (1562 mm)	Construction	13.0 cubic feet	0.37 cubic meters

**GEHL**  
www.gehl.com

## SAFETY IS NO ACCIDENT.

Gehl Company reminds users to read and understand the operator's manual before operating any piece of equipment. Additionally, be sure all safety devices and shields are securely in place and functioning properly.

Gehl Company reserves the right to make changes in design or specifications at any time without notice or obligation.